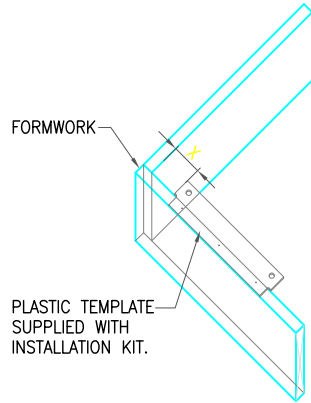


# INSTALLATION GUIDE – POWERTRUSS BRACE & POWERTRUSS COLUMN

## STEP 1

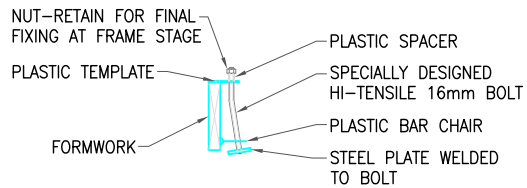


### POSITIONING OF TEMPLATE DETAIL

SCALE 1:20

TEMPLATE SET OUT DIMENSION 'X'	
OPTION 1 70mm FRAME	105mm
OPTION 1 90mm FRAME	125mm

## STEP 2

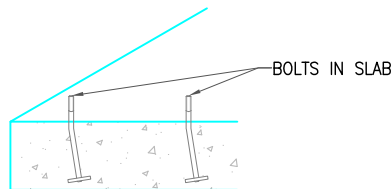


### POSITIONING OF HOLDING DOWN BOLTS PRIOR TO POURING OF CONCRETE. INSTALLATION KIT SUPPLIED

SCALE 1:20

NOTE: ANY OTHER HOLDING DOWN METHOD REFER TO PROJECT ENGINEER

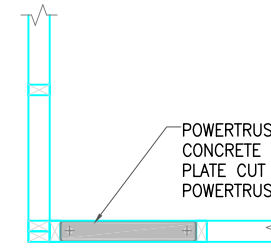
## STEP 3



### SPECIALY DESIGNED HOLD DOWNS CAST INTO SLAB

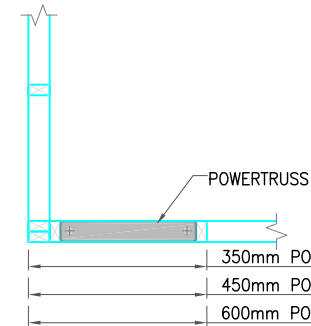
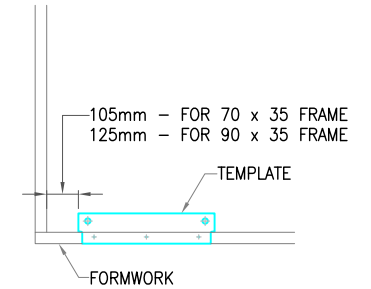
SCALE 1:20

## STEP 4



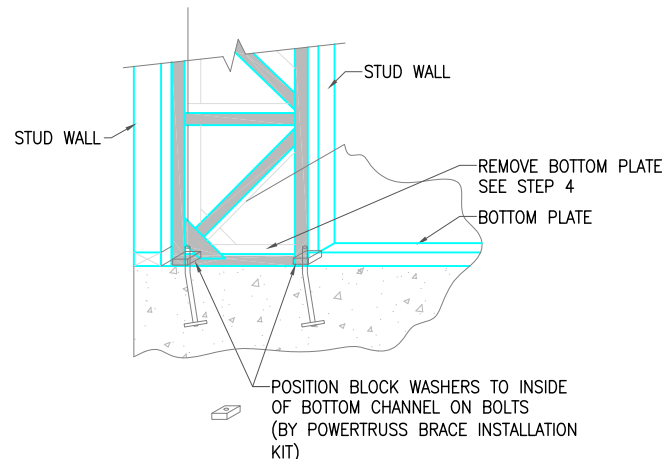
### PLAN VIEW

SCALE 1:20



### BRACE LOCATION OPTION 1

SCALE 1:20



### POWERTRUSS FRAMES TO SLAB CONN. DETAIL

SCALE 1:20

### FOR SUPPLY OF POWERTRUSS FRAMES CONTACT MANUFACTURER:

QLD/NSW (Head Office)  
Ph: (07) 3245 4930  
Fax: (07) 3245 4838  
Mob: 0400 324 407  
www.powertruss.com.au  
Email: neil@powertruss.com.au

VIC/SA  
Ph: (03) 9799 9122  
Fax: (03) 9799 9800  
Mob: 0419 006 679  
www.powertruss.com.au  
Email: alex@powertruss.com.au